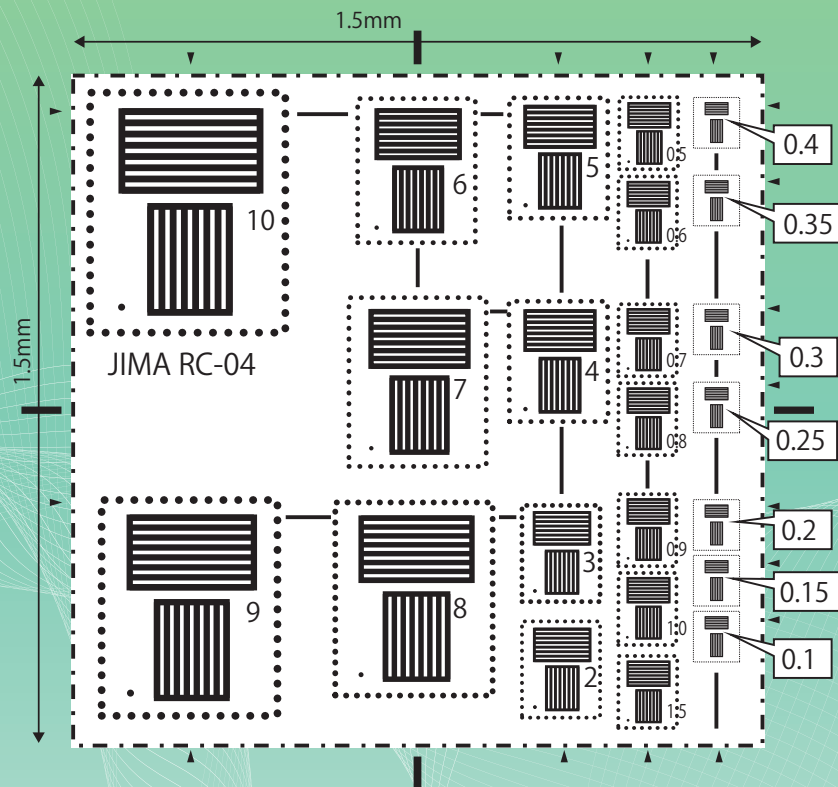
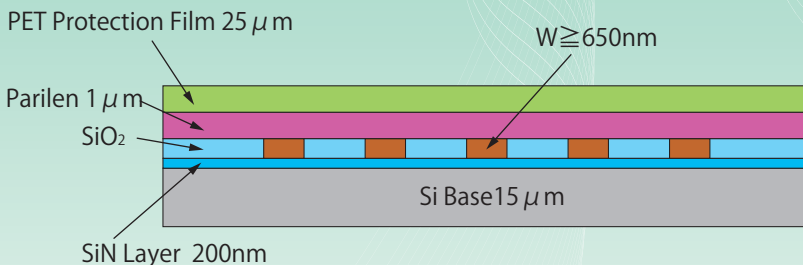


Adapting most advanced technology for semiconductors, 23 kinds of line and space from 10 μm down to 0.1 μm nano orders has been realized. The most advanced X-Ray imaging system with nano focus and microfocus resolution need this MicroChart to maintain and check its capability and daily alignment.



Chip Cross Section



Tungsten chart as for absorption material are layout in 6.25mm square Silicon chip. The chip is mounted on Aluminum housing and covered with PET film to protect the chip.



Micro-Chart (Reversed Side)



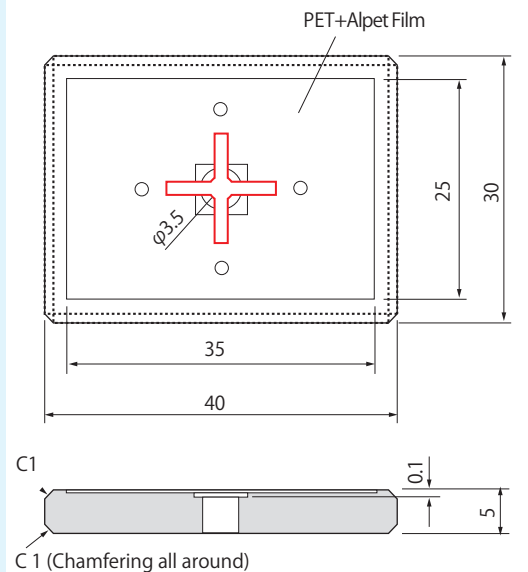
In Protection Case



Specification

Housing Size	30 x 40 mm, x 5mm(Thickness)
Si Base	15 μ m \pm 1 μ m (Thickness)
Absorption Material	Tungsten (W), (Thickness) \geq 650nm
Protection Film	PET Film (Thickness : 25 μ m) + Alpet (35 μ m)
Number of Line each size	8 Lines (7 Spaces), T Shape Layout
Line and Space Size	0.1, 0.15, 0.2, 0.25, 0.3, 0.35, 0.4, 0.5, 0.6, 0.7, 0.8, 0.9, 1.0, 1.5, 2, 3, 4, 5, 6, 7, 8, 9, 10 μ m (Line and Space are same Width)
L/S Width Tolerance	0.1, 0.15 μ m : \pm 0.02 μ m 0.2~10 μ m : \pm 10%
Operation Ambience	10 $^{\circ}$ C~70 $^{\circ}$ C

Dimension (mm)



How to place order

Please send order to our Test Piece office.
We will ship after receipt of advanced remittance.
Shipping charge, freight and bank charge should be paid by customers.

Contact

Test Piece Office
TEL: + 81 3-3288-5080, FAX: +81 3-3288-5081
E-mail: rttp@jima.jp

NOTE: All specification may be changed without notice.

Designed and Sold by: